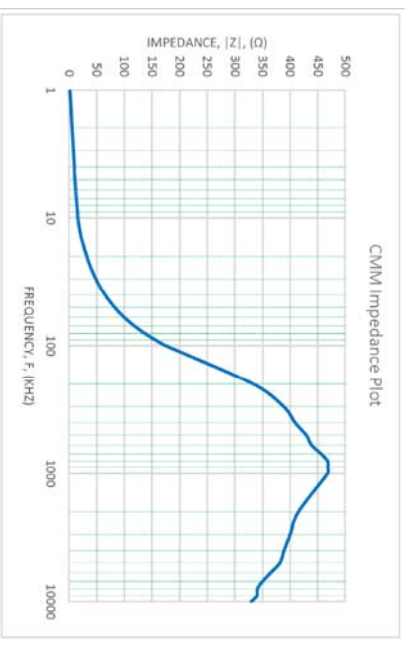
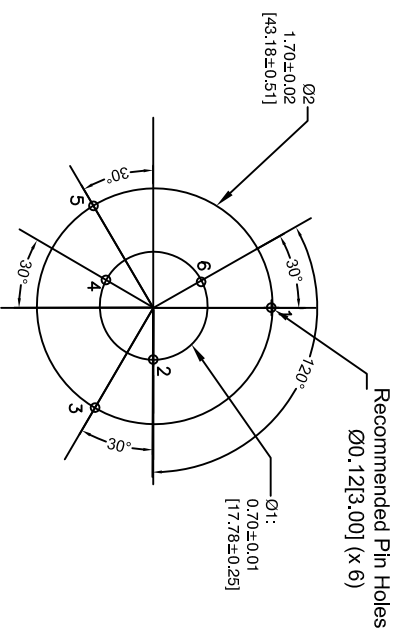
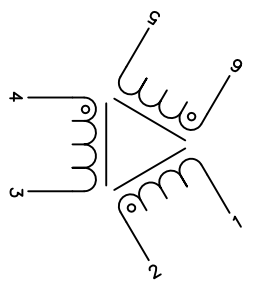
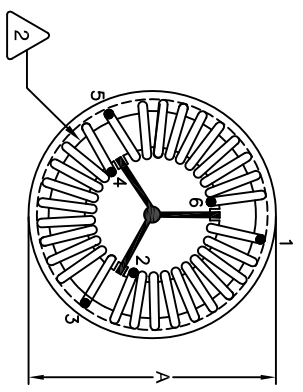
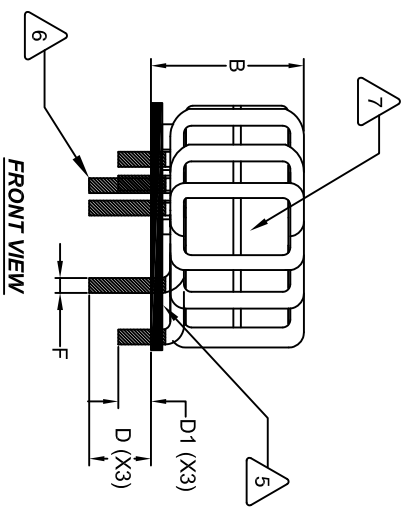


The information contained in this drawing is the sole property of Coil Winding Specialist Inc. (CWS). Any reproduction in part or whole without written permission of CWS is prohibited.



DIMENSIONAL TOLERANCE INCHES [MM]					
A(OD) Max	B(HGT) Max	D1(LEAD) Min	D(LEAD) Min	F (Lead Dia) TYP	
1.96 [49.70]	0.95 [24.25]	0.50 [12.70]	0.75 [19.05]	0.10 [2.50]	

REVISION HISTORY			SIGN & DATE		
REV	ECN	DESCRIPTION	BY	DATE	DATE
B		UPDATED SPEC.	TN	07/30/2020	07/30/2020
B1		UPDATED SPEC.	TN	08/19/2020	08/19/2020



**SCHEMATIC**

**MOUNTING HOLES PATTERN**

- 8 BUILT TO ROHS COMPLIANCE
- 7 LABEL PART NUMBER, REVISION AND DATE CODE.
- 6 TRIM INNER LEADS TO 0.75 AND OUTER LEADS TO 0.5 INCH FROM BOTTOM OF BASE
- 5 APPLY EPOXY
- 4 STRIP AND TIN LEADS (NO INSULATION IS ALLOWED BELOW THE BASE LEVEL.)  
 WEIGHT = ~100 GRAMS  
 CHOKE OPERATING TEMP RANGE = -55°C TO 155°C  
 MAX TEMP RISE = 30°C WITH AIR FLOW  
 INTERWINDING ISOLATION = 2000 VOLTS RMS.  
 DCR ON EACH WINDING = 1.0 mΩ MAX.  
 RATED VOLTAGE = 1000 VAC OR VDC  
 RATED CURRENT = 30 AMPS  
 LEAKAGE INDUCTANCE = 1.0μH TYP @ 10 KHZ, 0.25 Vrms.  
 SRF = 995KHZ TYP  
 INTERWINDING CAPACITANCE = 1.63nF TYP @ SRF  
 |Z| = 460Ω TYP @ SRF  
 L = 200 μH±30% @ 1 KHZ, 0.25 Vrms, 0 ADC  
 SPECIFICATIONS AT 25°C:
- 3 WIRE: UL RECOGNIZED 200°C RATED MAGNET WIRE  
 CWS BYTEMARK OR OTHER APPROVED PART  
 CORE: FERRITE COATED TOROIDAL CORE  
 CASE RATING CLASS H (180°C) REQUIRED  
 MATERIAL: UL RECOGNIZED FOR FLAMMABILITY
- 2 ANY TOLERANCE. THIS DIM. CAN VARY A LITTLE FROM PART TO PART.  
 \*TYP IN DIM. TABL. TABLE REFERS TO A NON-CRITICAL TYPICAL (AVERAGE) DIM. WITHOUT  
 NOTES: UNLESS OTHERWISE SPECIFIED, READ NOTES FROM BOTTOM TO TOP.  
 CAGE CODE: 5DME2
- 1 CASE RATING CLASS H (180°C) REQUIRED  
 MATERIAL: UL RECOGNIZED FOR FLAMMABILITY

UNLESS OTHERWISE SPECIFIED		AUTOCAD	
DIMENSIONING AND TOLERANCE PER ANSI Y14.5M	ALL DIMENSIONS ARE IN INCHES AND [MILLIMETERS]	SIGN	DATE
TOLERANCE ANGLES	±0°30'	XL	04/29/2020
TOLERANCE METRICS	±0°30'	XL	04/29/2020
ANGLE PROJECTION	1 <sup>st</sup> ANGLE	XL	04/29/2020
DO NOT SCALE DRAWING			

www.coliws.com	Coil Winding Specialist Inc.
sales@coliws.com	353 West Grove Ave
	Orange, California, 92865
TITLE: Ferrite Inductor	
Three-Phase Common Mode Choke	
200uH, 30Amps, Horizontal Mount	
SIZE [DIM. NO.]	TPW-201U-B30A
SCALE	N/A
SHEET	10F
REV	B1